

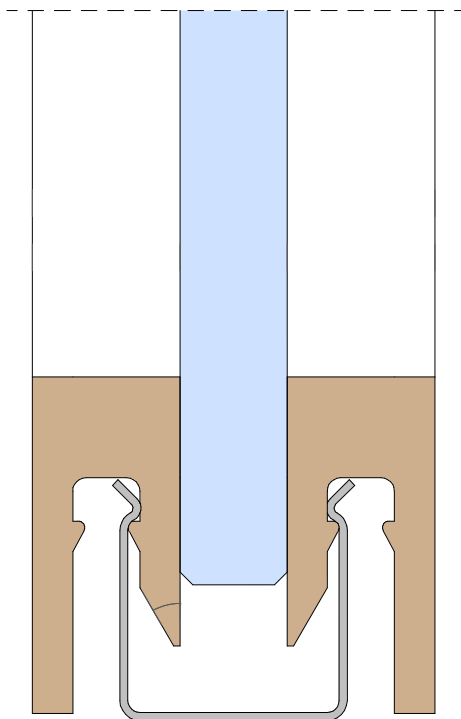
J'CLICK'D



DREAM,
CLICK, ENJOY.

J'Clickd combines next-level flexibility with environmental sustainability and endless creativity. Originally in bamboo, now available in a broad range of materials.

SINGLE-GLAZED



BASIC INFORMATION

	J'Clickd 10 mm (3/8") acoustically laminated glass	J'Clickd 12 mm (1/2") acoustically laminated glass	J'Clickd 16 mm (5/8") acoustically laminated glass
Acoustic performance (Rw)	31 dB	37 dB	39 dB
Test report	pending	2021-LAB 143	2021LAB-143 SONI329
Profile dimensions (wxh)	60 x 50 mm (2 3/8" x 2")	60 x 50 mm (2 3/8" x 2")	60 x 50 mm (2 3/8" x 2")
Weight/m ²	25 kg	30 kg	40 kg

TECHNICAL SPECIFICATIONS

Structure	
Ceiling track	Steel clicksystem
Floor track	Steel clicksystem
Material	Glass acoustically laminated
Joint type/width	N/A
Curved options	Yes

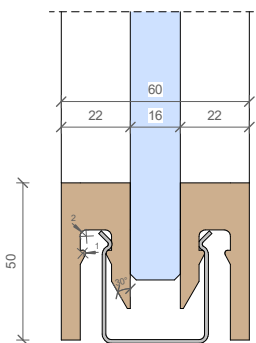
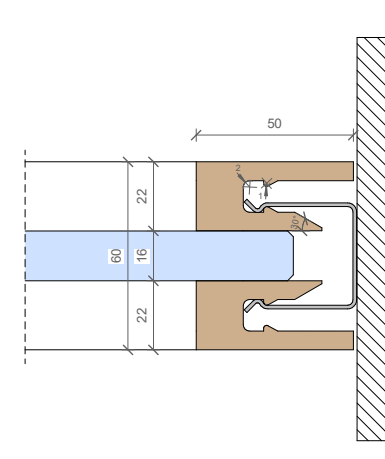
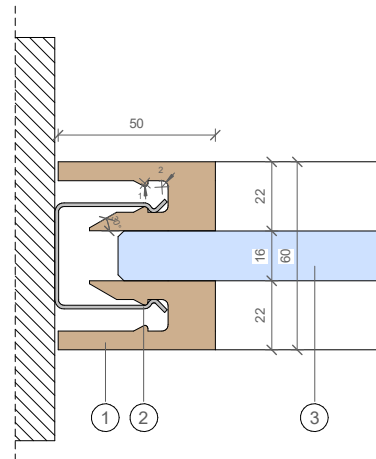
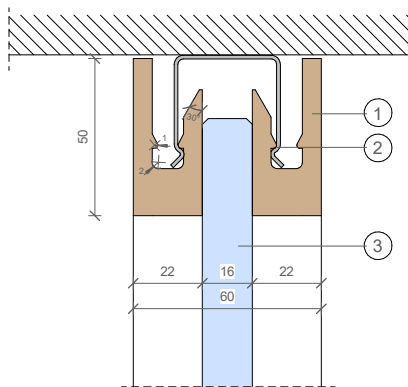
Wall details	
Profile finishings	On demand
Tolerance	max. 30 mm
Wall thickness	60 mm

METRIC

WALL

- 01 Skirting Profile
- 02 Glass Clip
- 03 Glass 16 mm

COMPOSITION WALL
CROSS SECTIONS



DOOR OPTIONS

DOOR	Acoustic value*	Possible with J'Clickd?	Flush options?
J'Swing - J'Clickd Framed single glazed door 40 mm	36 dB	✓	✗
J'Swing - J'Clickd Solid door 40 mm		✓	✗
J'Swing - J'Clickd Single glazed door 40 mm	31 dB	✓	✗
J'Swing - J'Clickd Framed double glazed door 100 mm		✗	✗
J'Slide - J'Clickd Framed single glazed door 40 mm		✓	✗
J'Slide - J'Clickd Solid door 40 mm		✓	✗

*The acoustic value is given when officially tested.



WWW.JANSENWALLSOLUTIONS.COM



INFO@JANSENWALLSOLUTIONS.COM



BE +32 11 79 92 00

PT +351 210 987 486